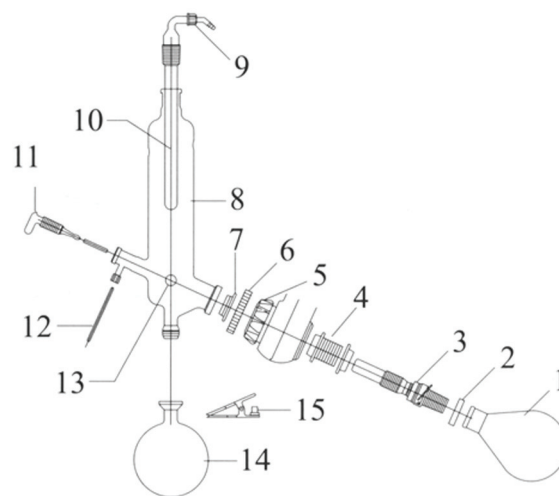
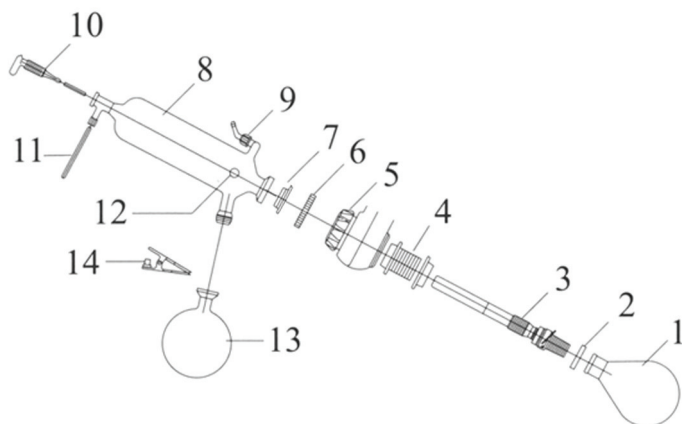


## Spare parts witegvapor



Spare parts for diagonal evaporator witegvapor

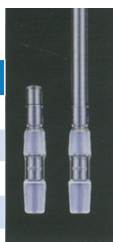
Item	Article	Order number
1	evaporating flask	<b>0 655 001 FCH-V</b>
2	joint clamp	<b>0 131 329</b>
3	witegvapor duct	<b>2 600 0072</b>
4	dust screw cap	<b>2 600 040</b>
5	condenser screw coupling	<b>2 600 041</b>
6	condenser holder spring	<b>2 600 042</b>
7	vacuum seal	<b>2 600 018</b>
8	assembly condenser	<b>2 600 009</b>
9	vacuum connector	<b>2 600 044</b>
10	vacuum stopcock	<b>2 600 010</b>
11	drawing PTFE hose	<b>2 660 019</b>
12	vapor sensor	<b>2 660 020</b>
13	receiving flask 500 ml KS 35	<b>0 644 500 ROT</b>
14	receiving flask clamp	<b>0 133 035</b>

Spare parts for vertical evaporator witegvapor

Item	Article	Order number
1	evaporating flask	<b>0 655 001 FCH-V</b>
2	joint clamp	<b>0 131 329</b>
3	witegvapor duct	<b>2 600 0072</b>
4	dust screw cap	<b>2 600 040</b>
5	condenser screw coupling	<b>2 600 041</b>
6	condenser holder spring	<b>2 600 042</b>
7	vacuum seal	<b>2 600 018</b>
8	assembly condenser	<b>2 600 009</b>
9	vacuum connector	<b>2 600 044</b>
10	vacuum adapter	<b>2 600 045</b>
11	vacuum stopcock	<b>2 600 010</b>
12	drawing PTFE hose	<b>2 660 019</b>
13	vapor sensor	<b>2 660 020</b>
14	receiving flask 500 ml KS 35	<b>0 644 500 ROT</b>
15	receiving flask clamp	<b>0 133 035</b>

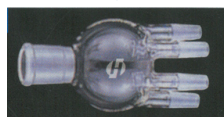
witegvapor duct ST 24/29 (Item 3)

Material	Length	Order number
PTFE	312 mm	<b>2 600 0071 TEF</b>
PTFE	200 mm	<b>2 600 0072 TEF</b>
glass	312 mm	<b>2 600 0071</b>
glass	200 mm	<b>2 600 0072</b>



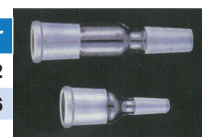
Four neckbulbs for flasks

Connectors	Order number
ST 24 socket 4x ST 14 cone	<b>1 430 400</b>



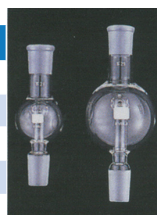
Connection adapter

Size	Order number
ST24 -> ST14	<b>0 510 002</b>
ST29 -> ST24	<b>0 510 006</b>



Bulbs for flasks

Size	Order number
ST 24, l=100 mm	<b>1 430 224</b>
ST 25, l=250 mm	<b>1 430 230</b>
ST 29, l=100 mm	<b>1 430 190</b>
ST 29, l=250 mm	<b>1 430 200</b>



Receiver flask KS 25 Rotulex

Capacity	Order number
100 ml	<b>0 644 100 ROT</b>
250 ml	<b>0 644 250 ROT</b>
500 ml	<b>0 644 500 ROT</b>
1,000 ml	<b>0 644 001 ROT</b>
2,000 ml	<b>0 644 002 ROT</b>
3,000 ml	<b>0 644 003 ROT</b>



Evaporating flask ST 29/32 FCH-V

Capacity	Order number
50 ml	<b>0 655 050 FCH-V</b>
100 ml	<b>0 655 100 FCH-V</b>
250 ml	<b>0 655 250 FCH-V</b>
500 ml	<b>0 655 500 FCH-V</b>
1,000 ml	<b>0 655 001 FCH-V</b>
2,000 ml	<b>0 655 002 FCH-V</b>
3,000 ml	<b>0 655 003 FCH-V</b>

